



USP3A MODEL SERIES

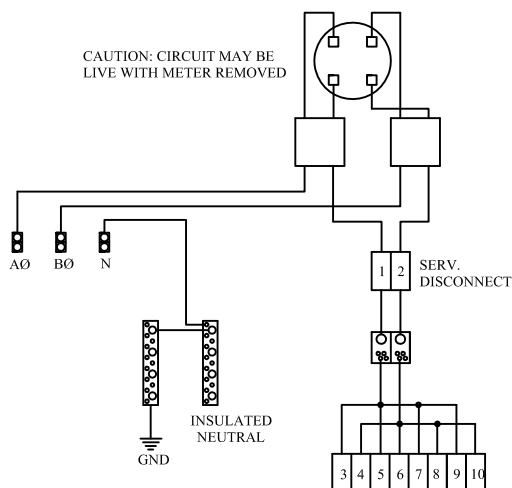


0 - 100 AMPS 0 - 240 VOLTS

STANDARD CATALOG NUMBERS

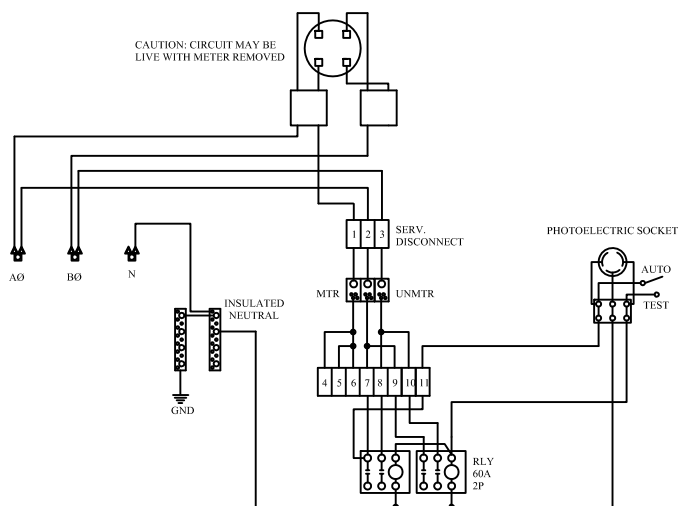
CATALOG NUMBER	AMPS	VOLTAGE	PHASE	MAIN	BRANCH CIRCUITS	AIC RATING
CAT.NO. USP3A-M3100-100TB	100	120/240	1PH 3W	3 POLE	11 MAXIMUM	10,000
METERED & UNMETERED CIRCUITS						
CAT.NO. USP3A-M2100-100TB	100	120/240	1PH 3W	2 POLE	12 MAXIMUM	10,000
ALL METERED CIRCUITS						
CAT. NO. USPA-M3100-100TB	100	120/240	1PH 3W	3 POLE	12 MAXIMUM	10,000
CITY OF FRESNO STANDARD						

CAT.NO. USP3A-M2100-100TB



CAT.NO. USP3A-M3100-100TB

SHOWN WITH OPTIONAL COMPONENTS



CAT.NO. USP3A-M3100-100TB

(CITY OF FRESNO STD)

